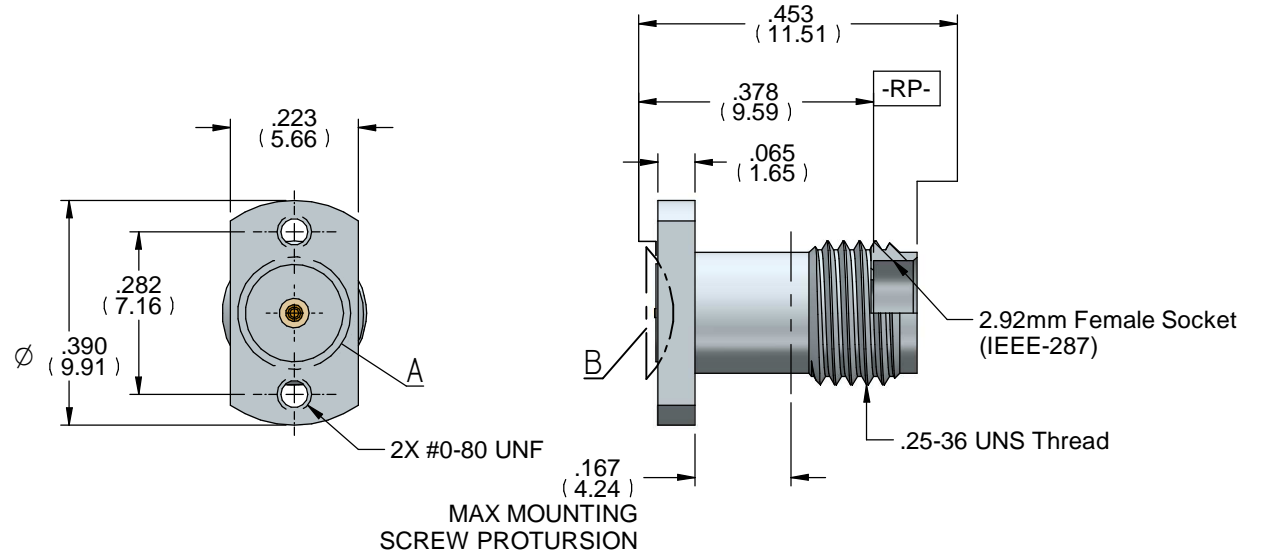
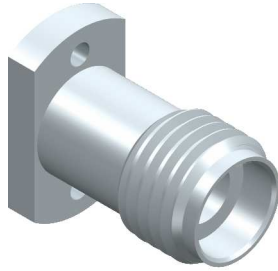


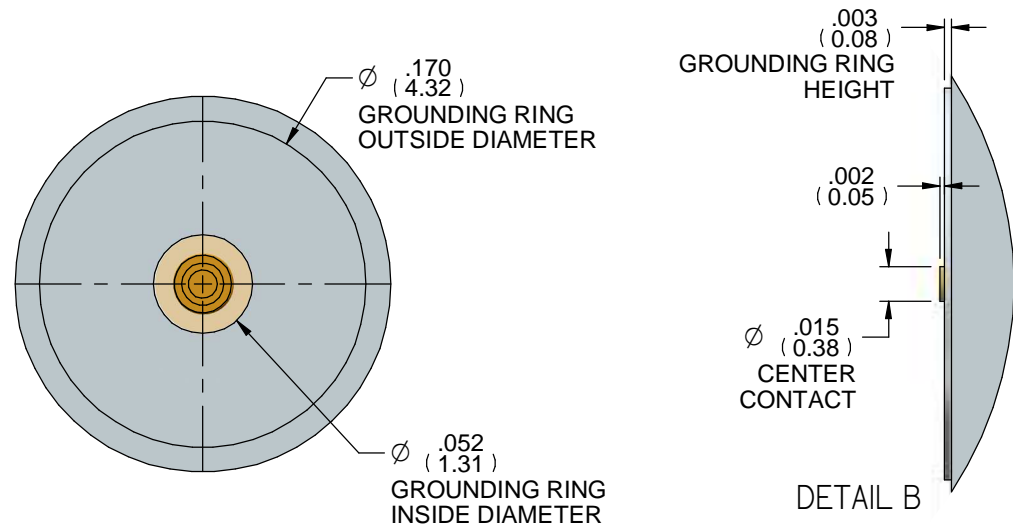


# VLF40-002

## Vertical Launch, 40GHz $\varnothing$ .015



| MATERIAL TABLE   |                     |
|------------------|---------------------|
| ITEM             | MATERIAL            |
| Housing          | 303 Stainless Steel |
| Center Conductor | Gold Plated BeCu    |



NOTES (UNLESS OTHERWISE SPECIFIED):

1. ALL DIMENSIONS ARE IN INCHES.
2. ALL ANGLES ARE IN DEGREES.
3. ALL DIMENSIONS IN (XXX) ARE IN MILLIMETERS.

| APPROVAL                         | DATE | DWG NO | VLF40-002    | REV |
|----------------------------------|------|--------|--------------|-----|
|                                  |      |        |              | A   |
| FILE NAME: VLF40-002 Outline.dft |      |        | SHEET 1 OF 1 |     |