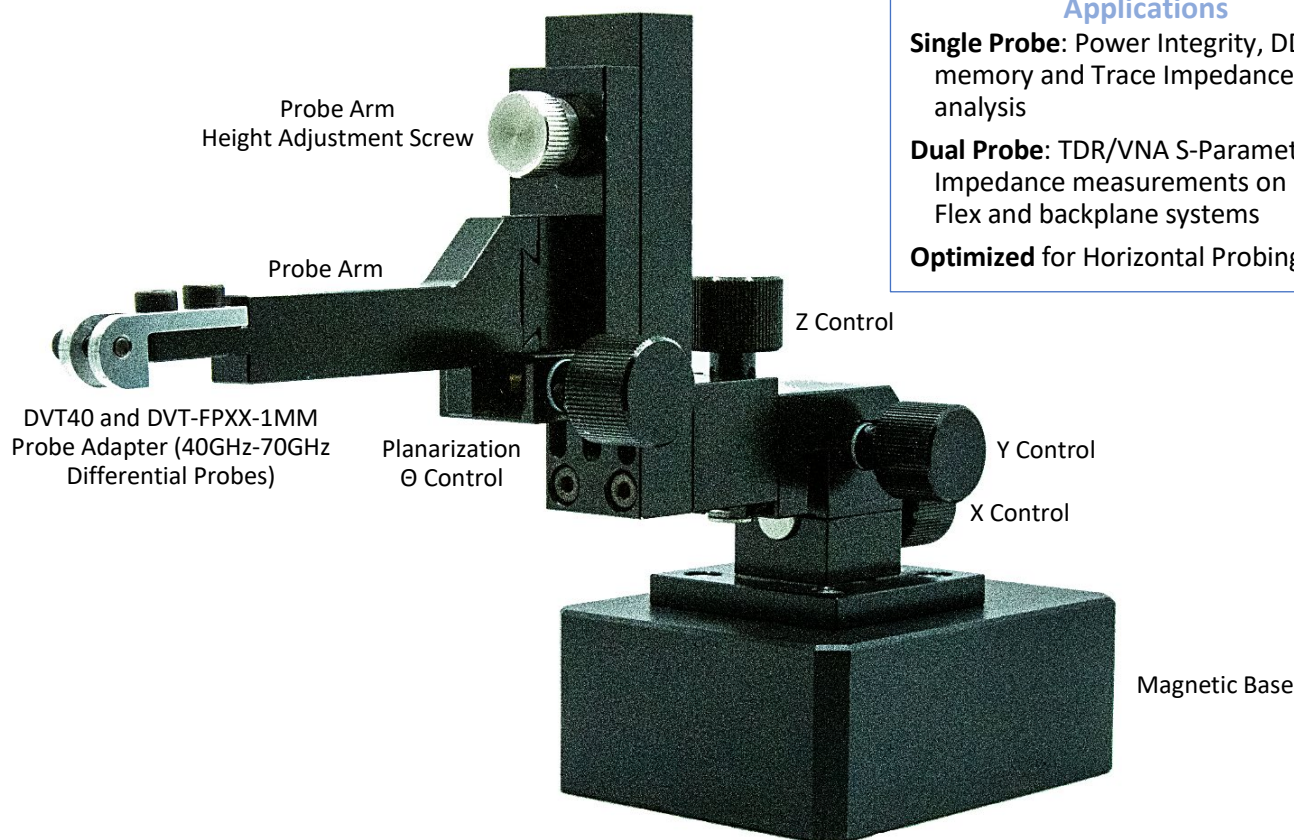


DVT-FP60 Probe Positioner

High-Precision, Compact, Versatile Probe Positioner for VNA/TDR Probing



Applications

Single Probe: Power Integrity, DDR memory and Trace Impedance analysis

Dual Probe: TDR/VNA S-Parameter or Impedance measurements on PCBs, Flex and backplane systems

Optimized for Horizontal Probing

Key Features and Benefits

- XYZ-axis travel: 16 mm with 500 $\mu\text{m}/\text{turn}$ (50 TPI)
- Θ control: $\pm 10^\circ$ with $2.5^\circ/\text{turn}$ and 0.025° resolution
- Length: 266 mm/10.5 in
- Width: 76 mm/3.0 in
- Height: 155 mm/6.1 in
- Weight: 2702 grams/5 lb. 15.4 oz
- Base: Steel with magnets at bottom
- Height coarse adjustment: 4.8 mm/step (14 steps)

The DVT-FP60 allows a user to precisely probe a printed circuit board with small geometry test pads.

The compact DVT-FP60 is designed with the highest quality steel components and still manages to offer the most competitive price in the industry.

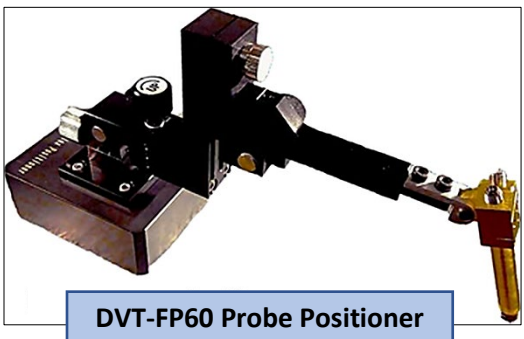
The Theta Θ (Planarization) Control screw adjusts the planarization angle to ensure that the probe pins are parallel to the board. By loosening the Height Adjustment Screw, the Probe Arm can move up and down in 14 small steps to probe PCBs and components at various heights.

Superior Usability

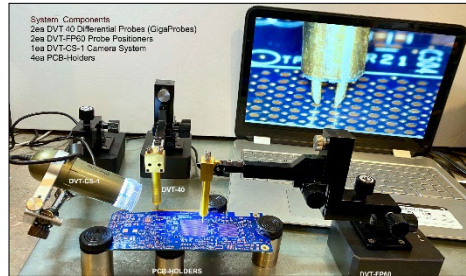
High-precision XYZ-stage and Planarization controls allow probes to land on test points accurately and firmly for repeatably reliable test results.

- The straight probe arm can be adjusted to probe extra tall circuit boards.
- A Magnetic Base allows quick and easy rearrangement of the test setup for probing both large and small circuit boards.
- Made with high-quality materials, precision-designed to ensure accurate and repeatable measurements.

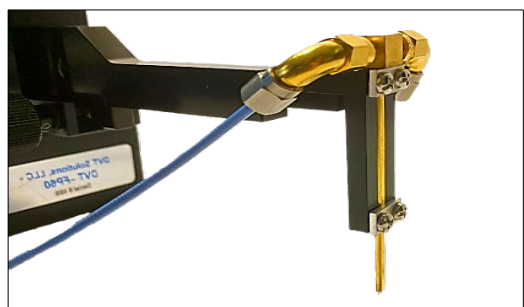
Probe Compatibility DVT30, DVT40, SE Probes



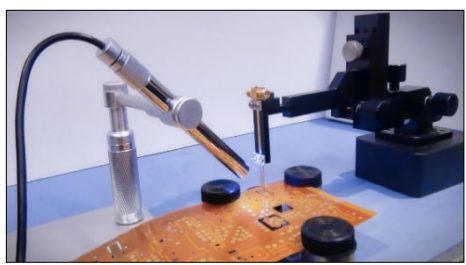
DVT40 40GHz
Differential VNA/TDR
GigaProbes®



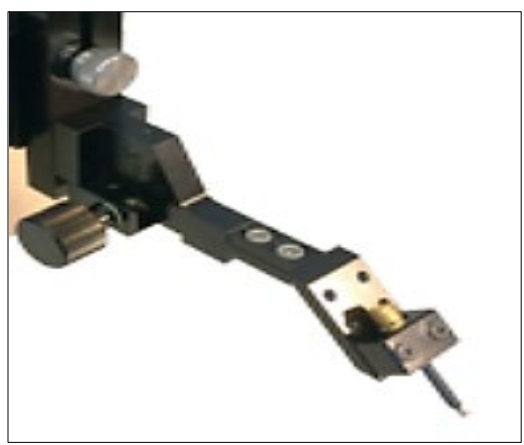
SDD21/11 IL with a 4-port VNA probe system:
Two DVT40 40GHz differential probes installed in two DVT-FP60 Probe Positioners and using a CS3 Camera system to view probe tips.



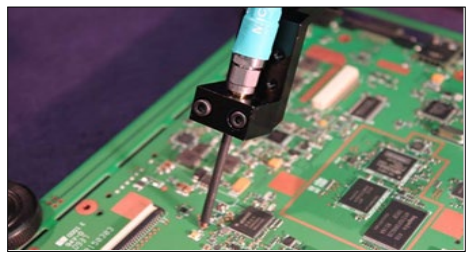
DVT30 20GHz/27ps
Differential/SE TDR
GigaProbes®



Multi-Mode TDR probing system: One DVT30 27ps Differential/Single Ended Probe installed in GPMMA adapter to end of the Probe Positioner with Camera probe guidance. Probe FLEX PCBs.



SE Probes Fixed Pitch
Single Ended Probes



Single Ended Fixed Pitch Probe System. Probe is attached to an adapter and to the end of Probe Positioner arm. Several probe fixed pitches and bandwidths are available for SE probes.