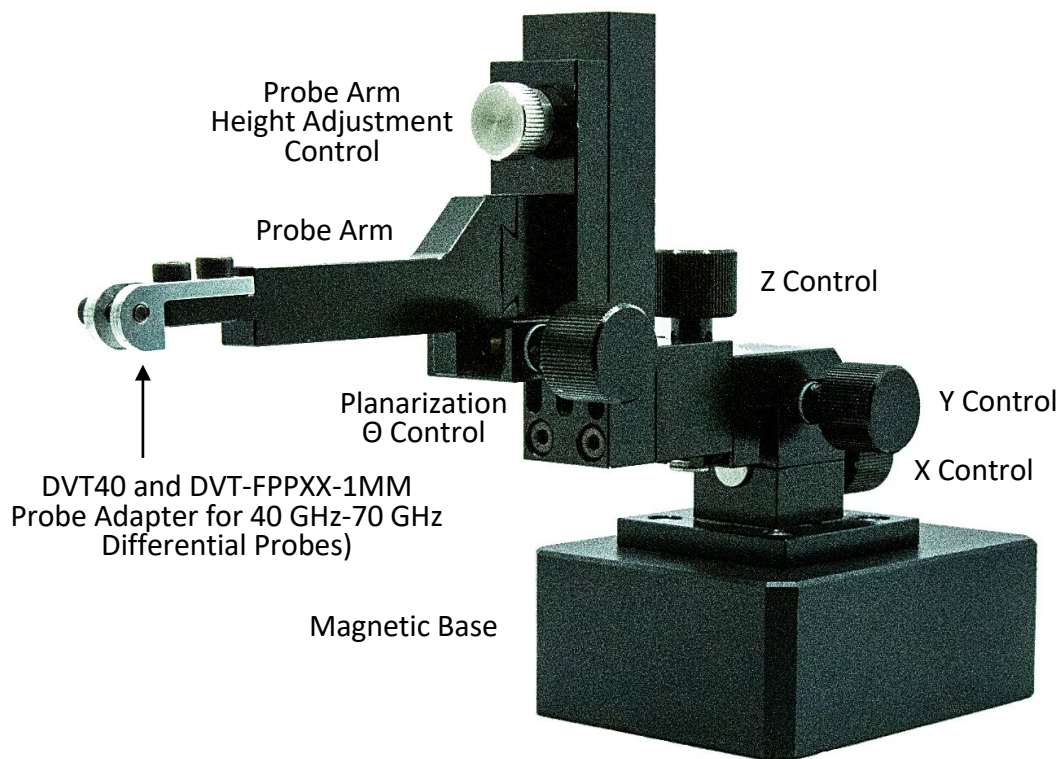


DVT-FP60 Probe Positioner

High-Precision, Compact, Horizontal Probe Positioner for VNA/TDR Probing



Features

- XYZ-axis travel: 16 mm with 500 $\mu\text{m}/\text{turn}$ (50 TPI)
- Θ control: $\pm 10^\circ$ with $2.5^\circ/\text{turn}$ and 0.025 in resolution
- Length: 266 mm/10.5 in
- Width: 76 mm/3.0 in
- Height: 155 mm/6.1 in
- Weight: 2702 grams/5 lbs 15.4 oz
- Base: Steel with magnetic bottom
- Height coarse adjustment: 4.8 mm/step (14 steps)

Applications

Single Probe: Power Integrity, DDR memory and Trace Impedance analysis

Dual Probe: TDR/VNA S-Parameter or Impedance measurements on PCBs, Flex and backplane systems

Optimized for Horizontal Probing

The DVT-FP60 Probe Positioner allows a user to precisely probe a printed circuit board with small geometry test pads.

The compact DVT-FP60 is designed with the highest quality steel components and yet still manages to offer the most competitive price in the industry.

The Theta Θ (Planarization) Control ensures that both probe tips make contact with the test pads evenly for accurate and repeatable probing.

By loosening the Height Adjustment Control, the Probe Arm can move up and down in 14 small steps to probe PCBs and components at various heights.

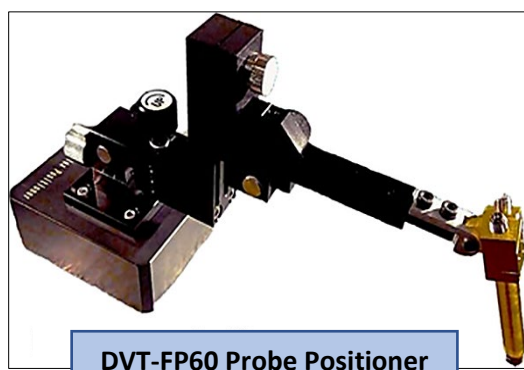
The straight probe arm can be adjusted to probe extra tall circuit boards.

A Magnetic Base allows quick and easy rearrangement of the test setup for probing both large and small circuit boards.

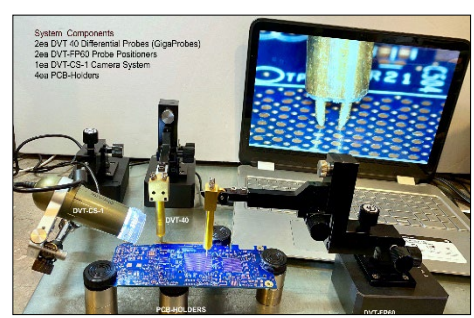
Made with high-quality materials, precision-designed to ensure accurate and repeatable measurements.

Probe Compatibility

DVT30, DVT40, SE Probes



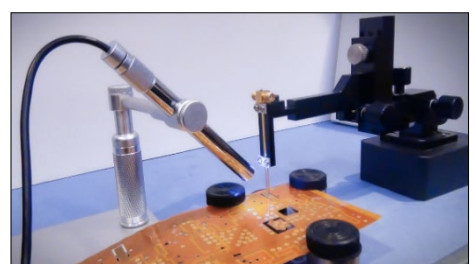
DVT40 40 GHz
Differential VNA/TDR
GigaProbes®



SDD21/11 Insertion Loss with a 4-port VNA probe system: Two DVT40 40 GHz differential probes are installed in two DVT-FP60 Probe Positioners with a DVT-CS-3 Camera system to view probe tips.



DVT30 20 GHz/27 ps
Differential/Single-Ended
(SE) TDR GigaProbes®



Multi-Mode TDR probing system: One DVT30 27 ps Differential/Single-Ended Probe is installed in a GPMMA adapter at the end of a Probe Positioner, with a DVT-CS-3 Camera system to probe FLEX PCBs.



Fixed Pitch Single-Ended
Probes



Single-Ended Fixed Pitch Probe System. The probe is attached to an adapter and to the end of a Probe Positioner arm. Several fixed pitches and bandwidths are available.