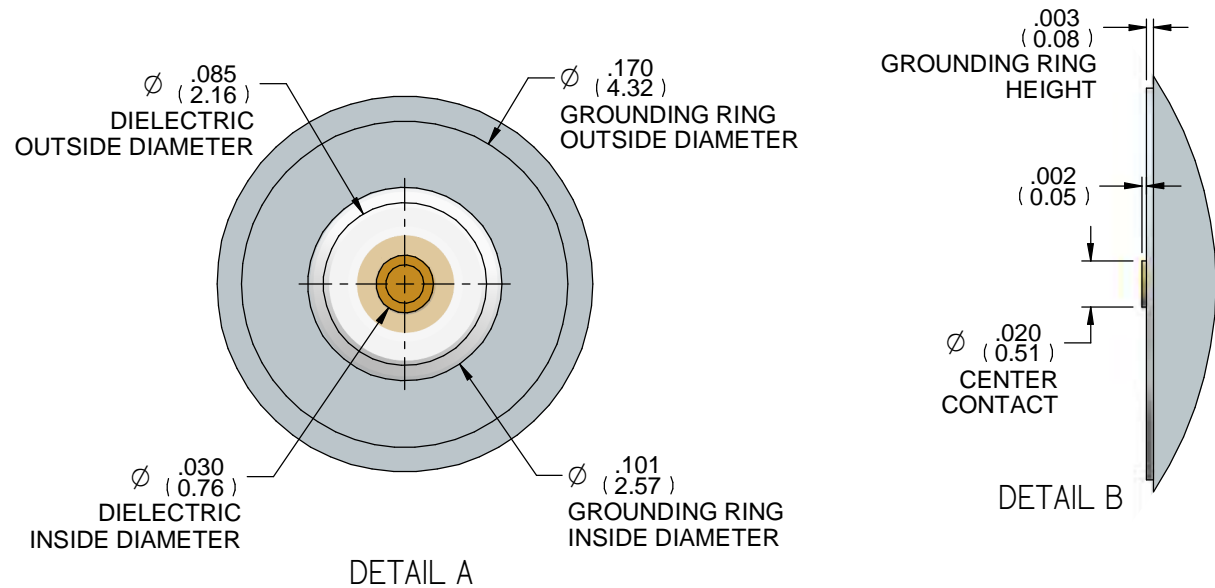
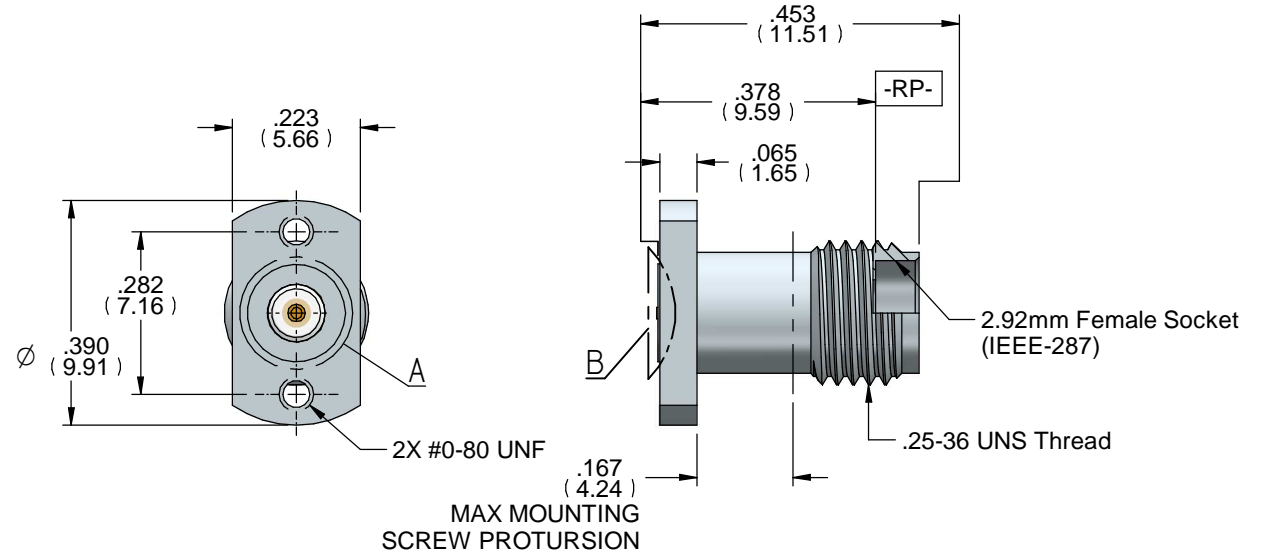
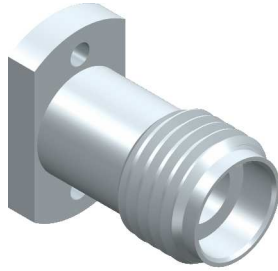




VLF40-001

Vertical Launch, 40GHz ϕ .020



MATERIAL TABLE	
ITEM	MATERIAL
Housing	303 Stainless Steel
Dielectric	Neoflon
Center Conductor	Gold Plated BeCu

NOTES (UNLESS OTHERWISE SPECIFIED):

1. ALL DIMENSIONS ARE IN INCHES.
2. ALL ANGLES ARE IN DEGREES.
3. ALL DIMENSIONS IN (XXX) ARE IN MILLIMETERS.

APPROVAL	DATE	DWG NO	VLF40-001	REV	A
		FILE NAME: VLF40-001 Outline.dft	SHEET 1 OF 1		