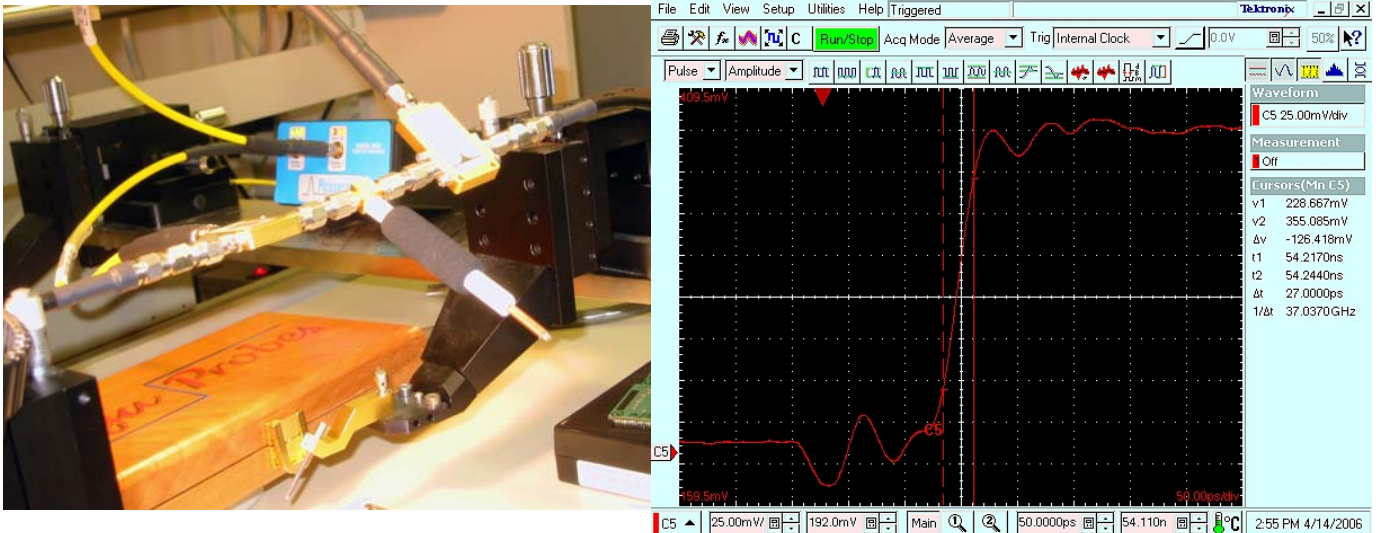
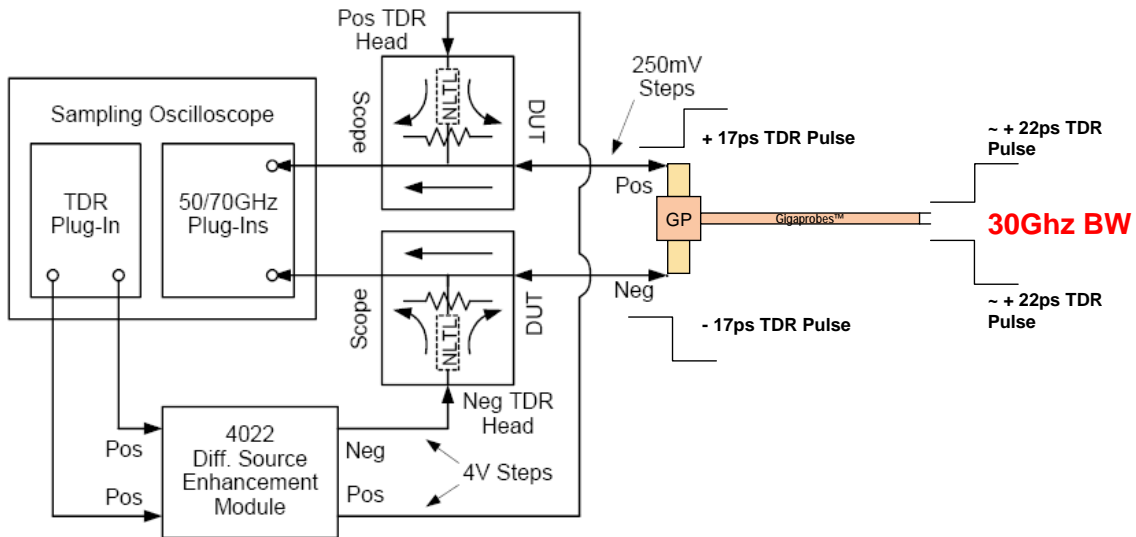


Gigaprobes™ Differential TDR Configuration

The Gigaprobes™ are a 30GHz true odd mode differential TDR probe with a typical bandwidth of 30GHz. To get the best *differential* performance from this probe it must have both pos. and neg. TDR pulses produced at the same time. This creates a true virtual ground so no other ground reference is required. It is recommended that any Tektronix or Lecroy TDR system be used with this probe although some Gigaprobes™ customers use the Agilent or HP TDR systems and are satisfied with the TDR results.

To get the best measurement performance with your Gigaprobes™ use sampling head extender cables and very short phase matched cables to minimize TDR rise time degradation. Clean the probe tips and the intended probing location often with a circuit board cleaning agent to remove contaminate or oxidation.



The picture on the left and the circuit diagram shows the GigaProbes™ operating in a differential configuration. The Gigaprobes are calibrated using a Picoseconds Pulse Lab 4022 TDR 9ps pulsers with a 17ps system bandwidth to drive the probe in a true differential mode and the reflective output is displayed on the right with a better than 30 GHz bandwidth.